

SPECIFICATION

Plasma Size	: Suitable for 37" to 50"
Length of Hook	: 559mm (22")
Tilt Angle	: +20 degree / -5 degree
Load Capacity	: 100kg (220 lbs)

** For details and updated Command and Program Software, please visit and download from www.abtussingapore.com

*Specifications are subject to changes without notice.






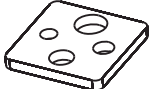








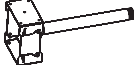
Plasma/ LCD Display Ceiling Mount (Double)



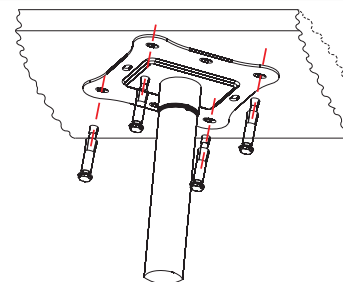
Model: AV417

User Operation Guide

PACKAGING CONTENT

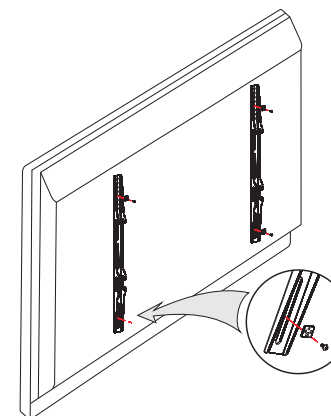
		
Part 1 Fixed Plate - 1 pc	Part 2 Wall Plate - 2 pcs	Part 3 - Hex Socket Set Screw M6 x 6 - 2 pcs
		
Part 4 Hook - 4 pcs	Part 5 Lock Plate - 4 pcs	Part 6 Square Washer - 8 pcs
		
Part 7 - Truss Head Screw M4 x15 / M4x20 / M4x30 - 8pcs M5 x15 / M5x20 / M5x30 - 8pcs M6 x15 / M6x20 / M6x30 - 8pcs	Part 8 - Truss Head Screw M8x35 - 8pcs M8x45 - 8pcs	Part 9 - Allen Wrench Φ 3 - 1pc Φ 5 - 1pc
		
Part 10 - Spacer 1 - 8pcs	Part 11 - Spacer 2 - 8pcs	Part 12 - Button Head Cap Screw M8 x15 - 10pcs
		
Part 13 - Washer Φ 8 x T1.6 - 8pcs	Part 14 - Expansion Sleeve Bolt M10 x100 - 4pcs	Part 15 Conneciont Assembly - 1pc

INSTALLATION



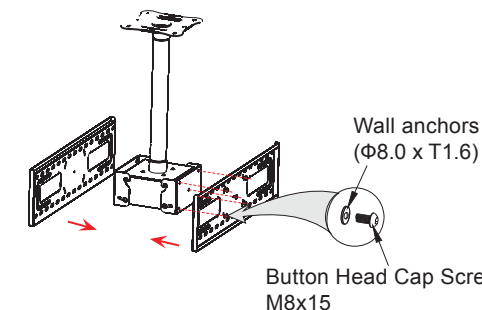
* Install the Fixed plate onto the ceiling by using M10 Expansion sleeve bolt (M10x100)

* Refer to diagram.



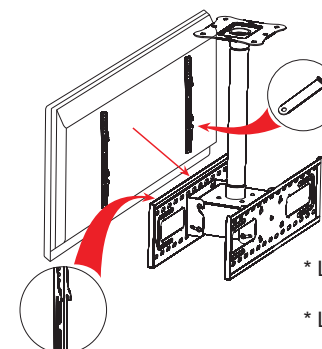
* Fixed the Hook (Part 4) onto Display unit with Square Washers (Part 6) and Philips head Screws (in Part 7 & Part 8).

* Please refer to the documentation that comes with the plasma display unit, to ensure that correct size of screw is used.



* Connect the Connection Assembly with the Fixed plate, tighten them with M6 Hex socket set screw.

* Fix the Wall plate onto the Connection Assembly with M8x15 button socket head screw and washer (Φ8.0)



* Lift and lower Plasma display unit to the wall plate

* Lock Plasma display unit to Wall Plate with the Lock Plate

* Add Pad-lock for security, if necessary.

NOTE: Do consult a qualified and authorized service technician if you encounter any technical difficulties. We are not liable for any damage or injuries arising from any improper installation or mishandling. Now, enjoy your Plasma display unit !!