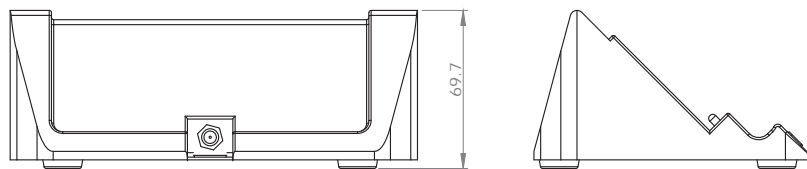
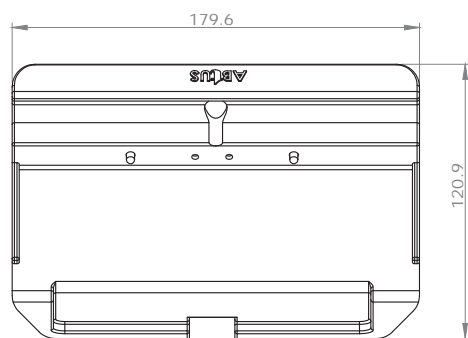
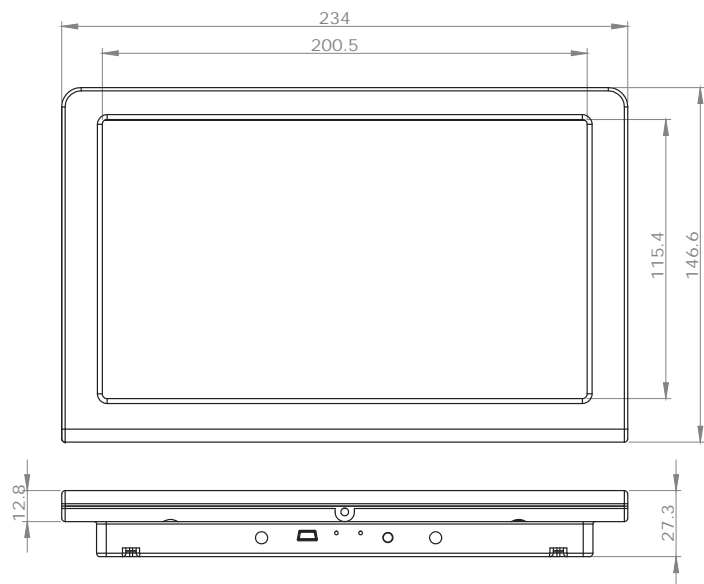


TECHNICAL INFO



Wireless Touch Panel & Control System



Model: TP-09WI & CS-02WI

PRODUCT DESCRIPTION

TP-09Wi is a TFT 65k true colour 9"LCD wireless touch screen panel. It comes with a sturdy charging stand and can last up to 90 days (sleep mode) when not placed on the charging stand.

The interface is fully customizable with features such as multiple pages, customizable buttons layout, fonts and etc. It also supports pictures and graphics in JPG, PNG, BMP and other picture formats.

Along with the CS-02WI receiver, it can work as a stand alone control unit, deployed with a central control system or synchronized with multiple units for large area deployment.

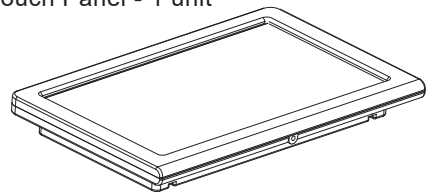
Ideal for home automation, meeting room controls and smart rooms.

PRODUCT HIGHLIGHTS

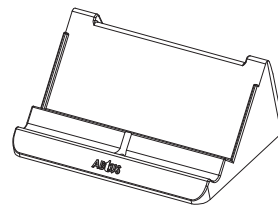
- 9" LCD screen
- Uses 433MHz frequency (up to 80m)
- Fully customizable button and page configurations
- Comes with a charging stand
- Battery life up to 8 hours (continuous usage) and up to 90 days (sleep mode)
- Adjustable brightness
- With screen standby, protection settings and electronic calendar display
- Support scene settings and macro
- Support SCRIPT functions
- Built with 3999 IDs (each ID can support 255 commands and delays)
- Integrated script debugging mode allows programmers to debug the codes before uploading to ensure reliability
- Low power consumption (Power supply: DC 9-24V/1.0A)

PACKAGE CONTENT

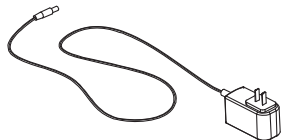
Touch Panel - 1 unit



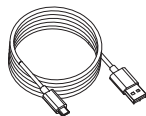
Charger Stand - 1 unit



AC Adaptor - 1 unit



USB Cable - 1 unit

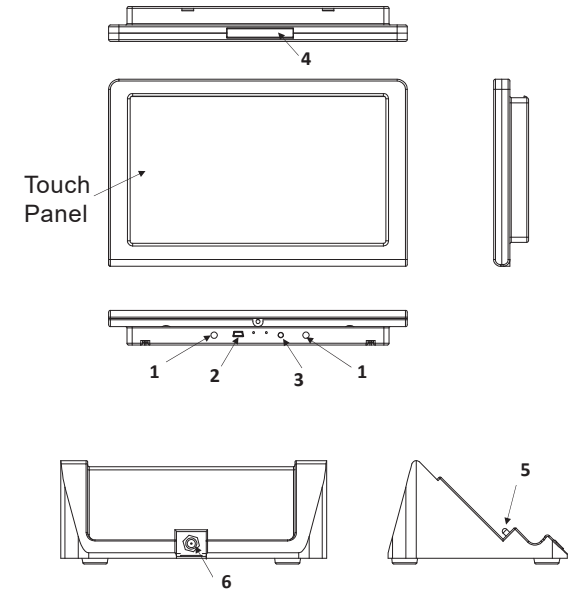


User Manual - 1 unit

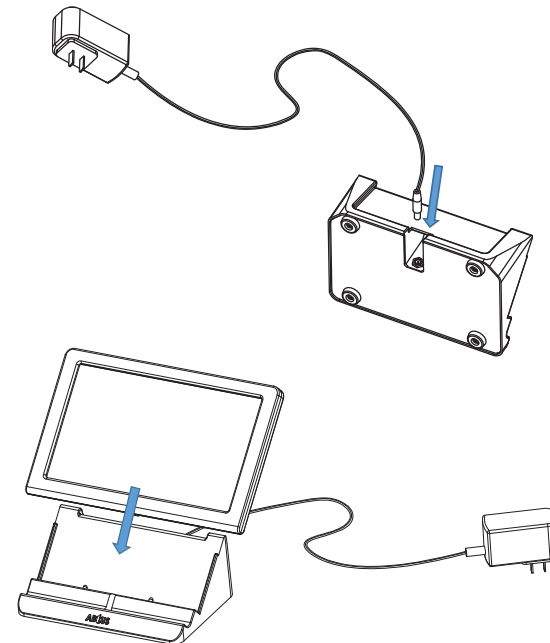


DEFINING THE 9" TOUCH PANEL

- 1.
- 2.
- 3.
- 4.
- 5.
- 6.



CHARGING THE TOUCH P ANEL



1. Plug the AC Adaptor to the charging stand.

2. Slide the Touch Panel onto the charging stand.