

IP-HDX11T/P2 & IP-HDX11R/P2 HDMI Extender over CAT5e/CAT6



The ABtUS IP-HDX11T/P2 & IP-HDX11R/P2 is a cost-effective point-to-point extender for HDMI V1.4 and IR signals. The extender supports 4K@30Hz with 4:4:4 with data rates up to 10.2Gbps and is HDCP 2.2 compliant. The IP-HDX11T/P2 & IP-HDX11R/P2 provides HDMI transmission up to 100 meters for 4K@30Hz 4:4:4 or 1080p, over single CAT5e/6 cable. The extender supports video resolution down-scaling allowing the 4K input to be automatically downscale to 1080p output for compatibility with 1080p display.

Features

- Supports HDMI V1.4, up to 4K@30Hz 4:4:4, HDCP 2.2.
- Extends 4K or 1080p HDMI signal up to 100m over a single CA T5e/6 cable.
- HDMI loop out on transmitter.
- Bi-directional IR pass-through.
- Support POC.
- Supports video resolution down-scaling, the 4K input is autom atically degraded to 1080p output on receiver for compatibility with legacy 1080p display device.
- Features visually lossless compression with no latency.
- Smart EDID management.
- Compact design, easy to install and simple to operate.

Technical specification

	IP-HDX11T/P2	IP-HDX11R/P2 (Receiver)
Input	HDMI x 1	RJ45 x 1
Output	HDMI x 1 RJ45 x 1	HDMI x 1
Control	IR IN (3.5mm mini jack) IR OUT (3.5mm mini jack)	IR IN (3.5mm mini jack) IR OUT (3.5mm mini jack)
Video Resolution	Up to 4K@30Hz 4:4:4	
HDMI Audio Format	Supports LPCM 2ch, LPCM 5.1ch, LPCM 7.1ch, Dolby Digital 2ch, Dolby Digital 5.1ch, DTS 2ch, DTS 5.1ch, DTS 96/24 5.1ch.	
Transmission Distance	4K/1080p ≤ 100 m	
HDMI Version	Up to 1.4	
HDCP Version	Up to 2.2. The HDCP of output follows the HDCP version of display device.	
EDID Management	Supported.	
Power Supply	Input: 100 to 240V AC, 50/60Hz; Output: 12V DC 1A	
Power Consumption	4W (Max)	
Operation Temperature	-5 to +55°C (+23° to +131°F)	
Storage Temperature	-25 to +70°C (-13° to +158°F)	
Relative Humidity	10% to 90%, Non-condensing	
Dimensions (W*H*D)	80mm x 16.8mm x 80mm	
Net Weight	65g	60g

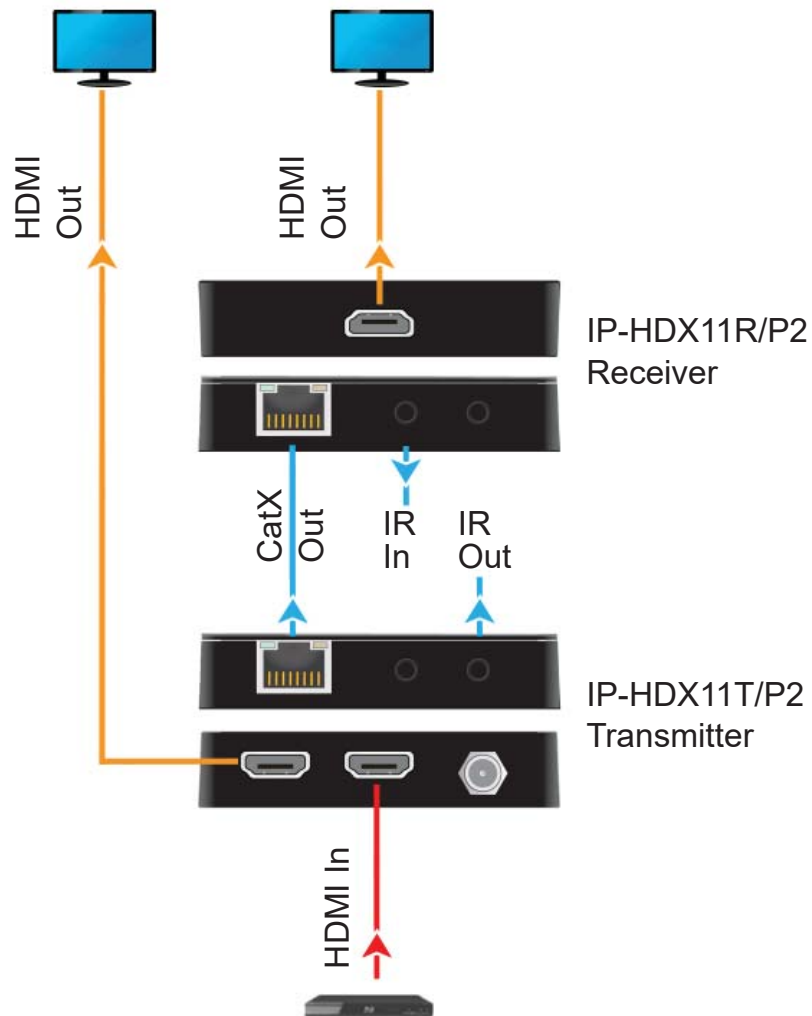
IP-HDX11T/P2 & IP-HDX11R/P2 HDMI Extender over CAT5e/CAT6

Typical applications

Any integration that requires multi format inputs over a long distance or requires HDBT outputs.

- Schools (Classroom, Lab, Hall etc.) • Churches • Corporate Applications (Board Room, Function Room etc) • Rental

Diagram



Resolution	CAT5e (FTP)	CAT6a (U/FTP)
1080p@60Hz	100m	100m
4K@30Hz	100m	100m